



## CH-44x0 - “Scoop”



### Dimensions

Outer: 20-1/2” x 15-1/4” x 7-1/4”

Inner: 18-1/4” x 13” x 6”

### Product Specification

The undercounter vanity sink shall be 20-1/2” in length and 15-1/4” in width, with an overall depth of 7-1/4” and a bowl depth of 6”. Sink shall be a single compartment with rectangular bowl and feature an inward-facing slope towards drain, composed of Vitreous China. Sink shall be Chinashell Models CH-4410 and CH-4420, “Scoop”.



## CH-83x - "Acorn"



### Dimensions

Outer: 17" x 14" x 7-3/4"

Inner: 14-3/4" x 11-7/8" x 6-1/8"

### Product Specification

The undercounter vanity sink shall be 17" in width and 14" in length, with an overall depth of 7-3/4" and a bowl depth of 6-1/8". Sink shall be a single compartment with oval bowl, composed of Vitreous China. Sink shall comply with ASME A112.19-2-2013, and CSA B45.1-13 ceramic plumbing fixtures. Sink shall be ADA-Compliant. Sink shall be Chinashell Models CH-833, CH-835 and CH-851, "Acorn".



## CH-53x - "Basin"



### Dimensions

Outer: 20-5/8" x 13-1/4" x 7"

Inner: 18-1/4" x 11" x 5-1/4"

### Product Specification

The undercounter vanity sink shall be 20-5/8" in length and 13-1/4" in width, with an overall depth of 7" and a bowl depth of 5-1/4". Sink shall be a single compartment with oval bowl, composed of Vitreous China. Sink shall be Chinashell Models CH-533, CH-535 and CH-551, "Basin".



## CH-93x - "Lotus"



### Dimensions

Outer: 19-3/8" x 15-3/4" x 8-3/8"

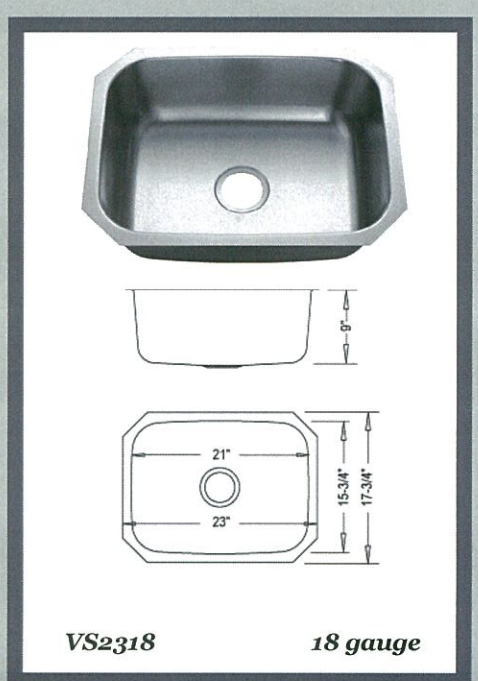
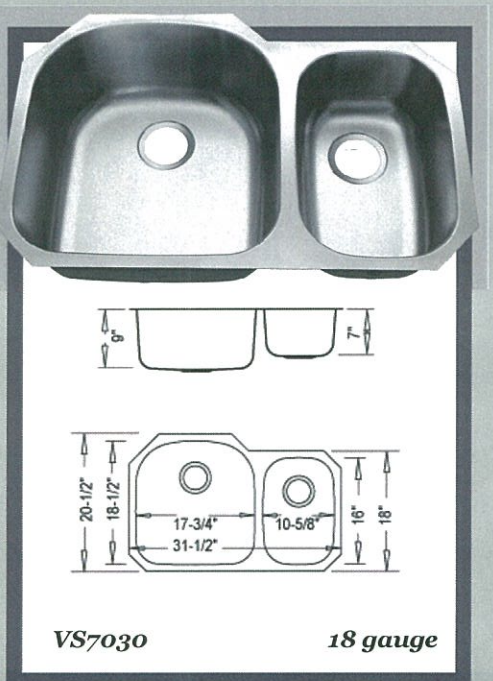
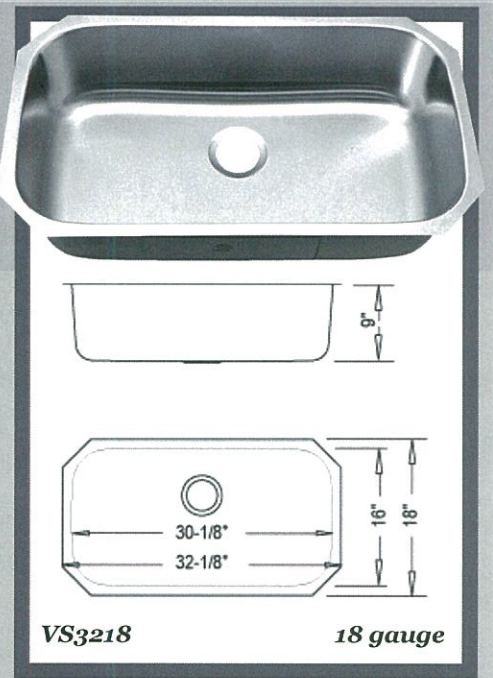
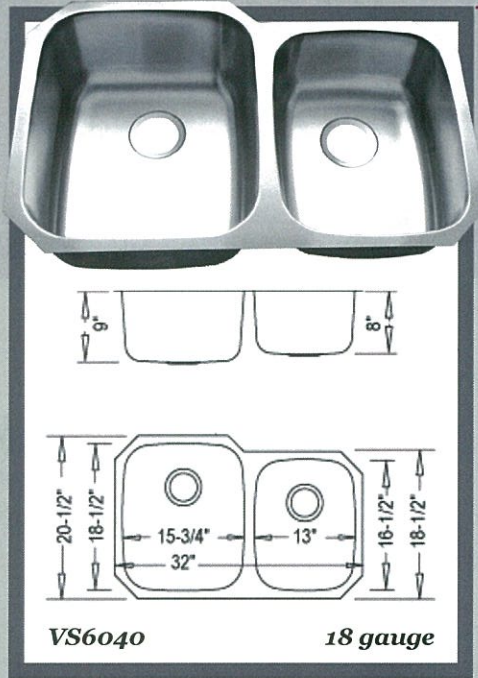
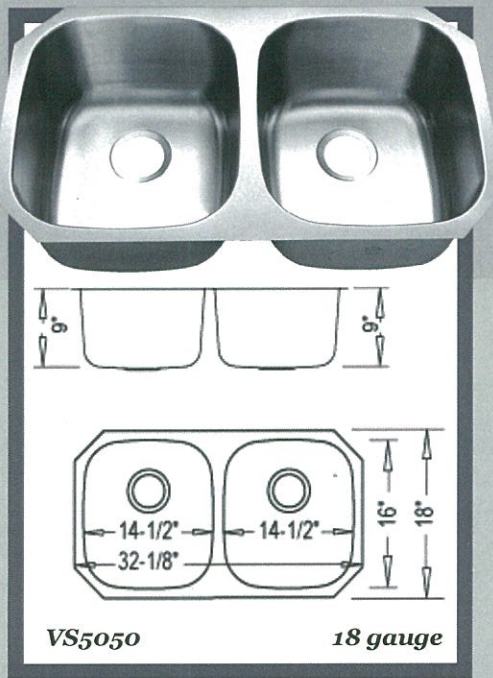
Inner: 17-1/2" x 14-1/4" x 6-1/2"

### Product Specification

The undercounter vanity sink shall be 19-3/8" in width and 15-3/4" in length, with an overall depth of 8-3/8" and a bowl depth of 6-1/2". Sink shall be a single compartment with oval bowl, composed of Vitreous China. Sink shall comply with ASME A112.19-2-2013, and CSA B45.1-13 ceramic plumbing fixtures. Sink shall be Chinashell Models CH-933, CH-935 and CH-451, "Lotus".



**Premium 18ga Gauge Kitchen Stainless**



**Limited Lifetime Warranty**

**Features:**

- ◆ Premium 304 material
- ◆ Certified
- ◆ 18 gauge thickness
- ◆ Satin luxurious finish
- ◆ Commercial undercoating
- ◆ Engineered absorption system reduces disposal noise